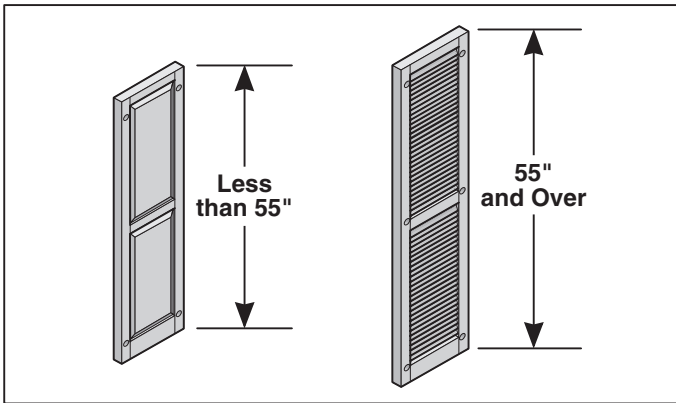


WINDOW AND DOOR TRIM

Shutters



- Two types of fasteners are included within the packaging of the shutter product; **metal screws** and **polymer shutterplugs**.
- Use four fasteners for shutters less than 55" in length. Position top screw/plug approximately 6" down from the top of the shutter, and bottom screw/plug approximately 6" up from the bottom of the shutter.



- Use six fasteners for shutters 55" and longer in length. Attach the two additional screws at the midpoint along the length of the shutter.

Following are the instructions when using the two types of fasteners:

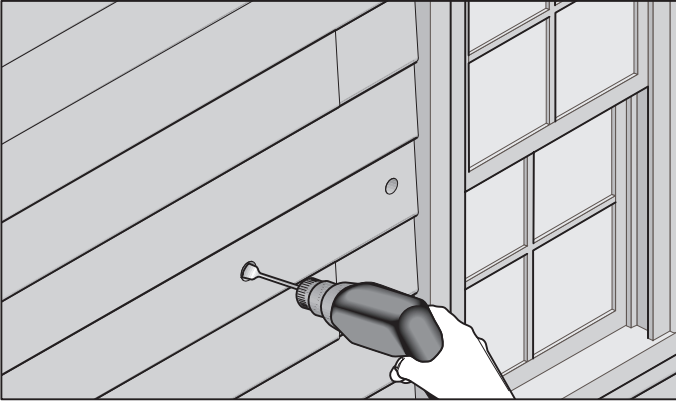
Polymer Shutterplugs:

Suggested for permanent, non-removable installations; works well on brick or block; solid-base construction material required; not for vinyl over foam insulation without sheathing.

- Locate shutter beside window.
- Drill a 1/4" diameter hole in shutter and into solid base material a minimum of 2" deep (into mortar joint locations for masonry).
- Insert plug by tapping lightly with a hammer. ***DO NOT FORCE SHUTTERPLUG SO TIGHTLY AS TO CAUSE DEPRESSION OF SHUTTER SURFACE.***

WINDOW AND DOOR TRIM

Shutters *continued*

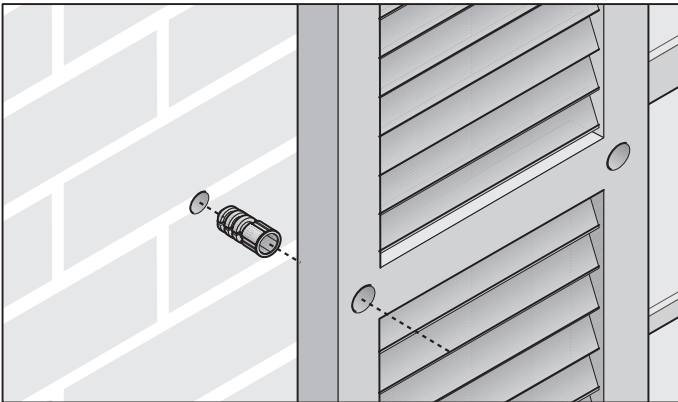


Metal Screws

- Can be used for all solid wall surfaces.

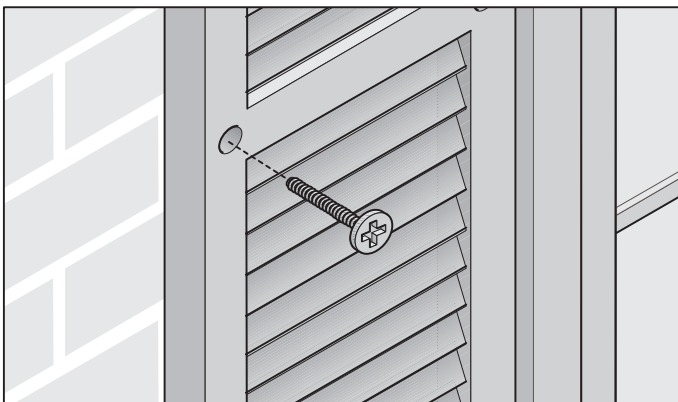
Wood Substrates

- Locate shutter beside window
- Drill 7/32" diameter hole in shutter and in wood surface.
- For vinyl siding applications, redrill a 3/4" hole in the vinyl siding only to allow for expansion and contraction.
- Screw shutter in place with 3" long metal screws. **DO NOT FORCE SCREW TIGHT ONTO SHUTTER SURFACE.**



Masonry Construction

- Locate shutter beside window.
- Drill 7/32" hole into shutter making sure to position at mortar locations.
- Drill hole in mortar joint of masonry as instructed by insert manufacturer.
- It is necessary to incorporate inserts (not supplied in shutter packaging) to provide holding power for the screw.
- Place insert in hole with hammer.
- Position shutter and screw in place with 3" long screws. **DO NOT FORCE SCREW TIGHT ONTO SHUTTER SURFACE.**



NOTE: Allow 1/4" gap between shutter and window and all other stops to allow for expansion and contraction.