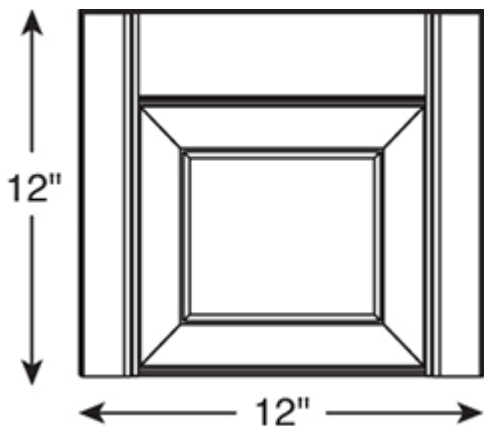


Product Specification Sheet

Mid-America Vinyl Window Shutters 12 Inch Raised Panel Transom Top

This guide is intended to help answer any questions about specific dimensions of the vinyl shutter transom tops you will receive. Please note that the vinyl shutter transom top manufacturing process is not exact. All sizes are nominal and may vary slightly from one shutter color to the next.



Height: 12"

Width: 12"

Depth (Thickness): 7/8"

Note: This transom top fits Mid-America open louver shutters and raised panel shutters in both standard and custom shutter sizes when ordered in 12" widths.

The raised panel shutter transom top is a decorative exterior accent for Mid-America custom exterior vinyl shutters and standard exterior vinyl shutters. Adding it to the top of Mid-America vinyl window shutters makes them fit better with transom windows.

The window measurement for rectangular windows should be taken from the top of the window to the bottom of the window including the window trim. The vinyl shutter used with the transom top should be 12" less than this measurement. Using this transom top is a way to add another mid rail into the shutter as a cheaper alternative to custom shutters.