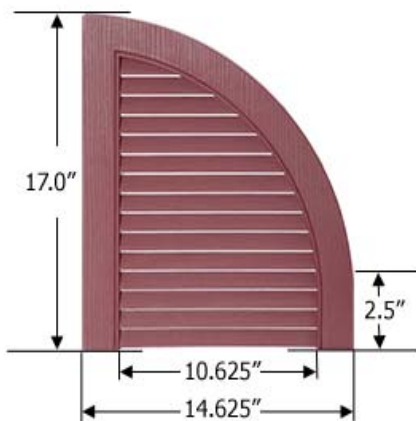


Product Specification Sheet

Mid-America Vinyl Window Shutters Open Louver Arch Top

This guide is intended to help answer any questions about specific dimensions of the exterior vinyl shutter arch tops you will receive. Please note that the custom shutter arch top manufacturing process is not exact. All sizes are nominal and may vary slightly from one shutter color to the next.



Height: 17"

Riser Height: 2 1/2"

Width: 14 5/8"

Depth (Thickness): 1"

Note: This arch top fits Mid-America open louver custom shutters, raised panel custom shutters, and Mid-America open louver standard shutters. It does not fit correctly on our standard raised panel shutters (style MP).

The louvered arch top is a decorative exterior accent for Mid-America custom vinyl shutters and standard louvered vinyl shutters. Adding it to the top of Mid-America vinyl shutters makes them fit better with half round windows.

Please note that there is a 2 1/2" riser on the arch top before it begins to curve. For this reason, you should order your exterior vinyl shutters that are 2 1/2" shorter than your window measurement when using our custom louvered arch tops.

The window measurement for half round windows should be taken from the bottom of the window to the point where the window begins to arch.