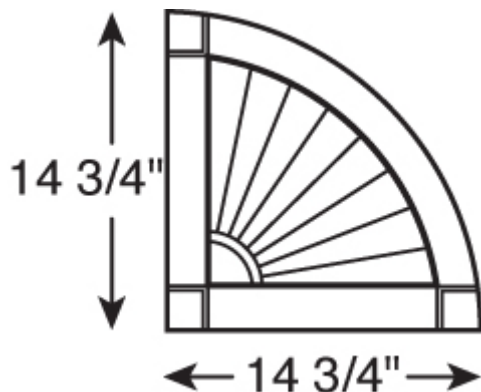


Product Specification Sheet

Mid-America Exterior Vinyl Shutters 14 3/4 Inch Fanfold Arch Top

This guide is intended to help answer any questions about specific dimensions of the vinyl shutter arch tops you will receive. Please note that the vinyl shutter arch top manufacturing process is not exact. All sizes are nominal and may vary slightly from one shutter color to the next.



Height: 14 3/4"

Width: 14 3/4"

Depth (Thickness): 7/8"

Note: This arch top fits Mid-America raised panel standard shutters when ordered in 14 3/4" widths (style MP). Note that this arch top does not fit properly on custom shutters or standard louver shutters.

The fanfold shutter arch top is a decorative exterior accent for Mid-America raised panel standard exterior vinyl shutters. Adding it to the top of Mid-America exterior vinyl shutters makes them fit better with half round windows.

The window measurement for half round windows should be taken from the bottom of the window to the point where the window begins to arch. The height of the exterior vinyl shutters you order for these arch tops should equal the window measurement.